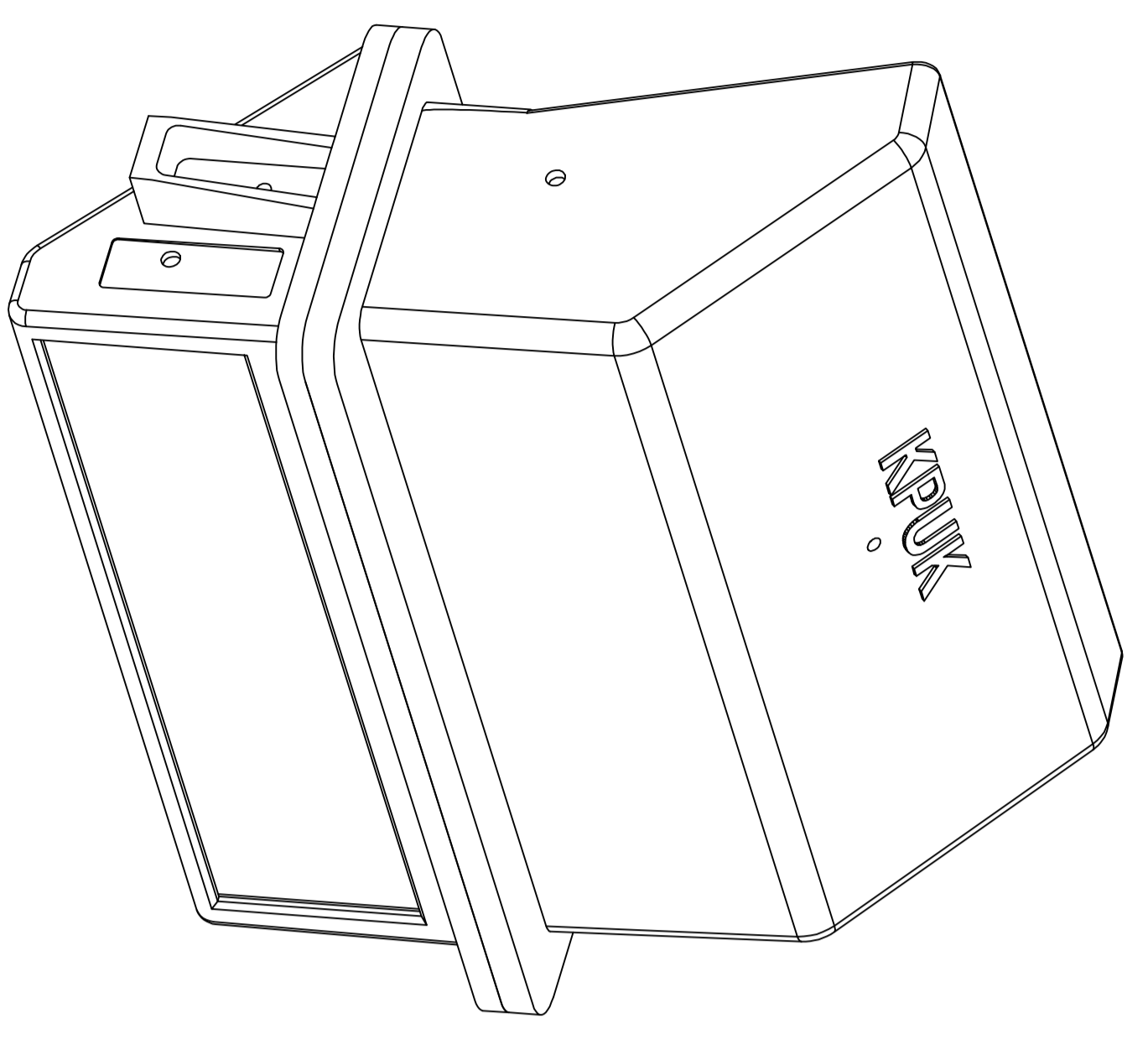
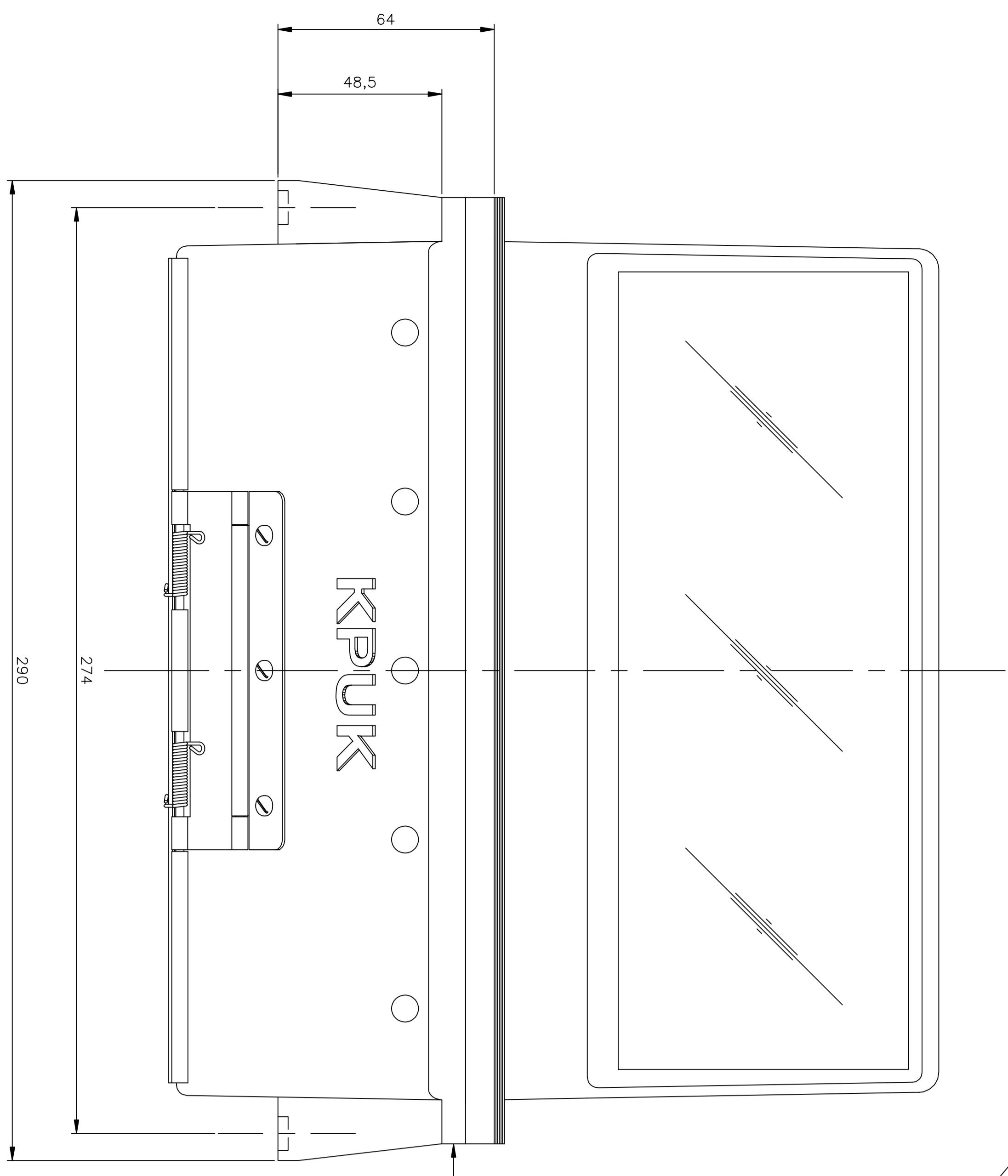
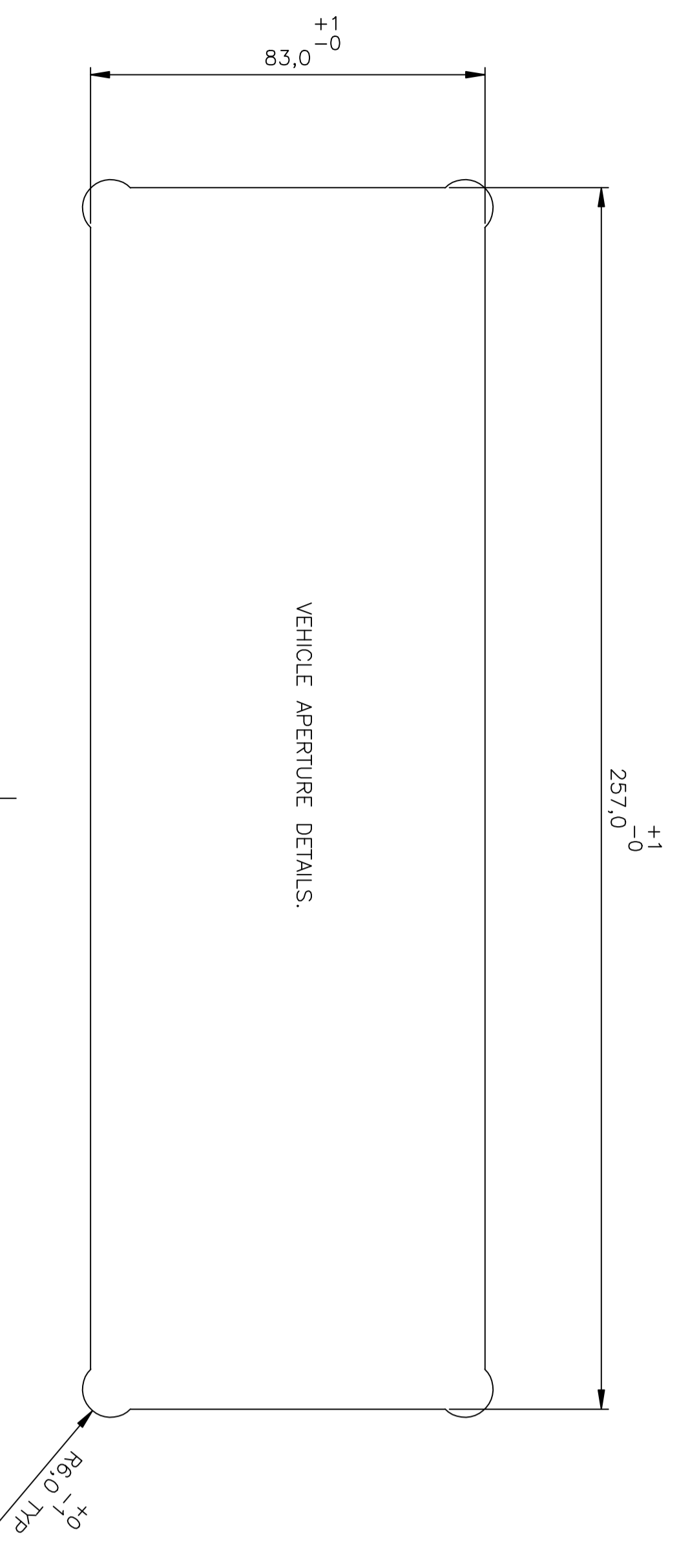


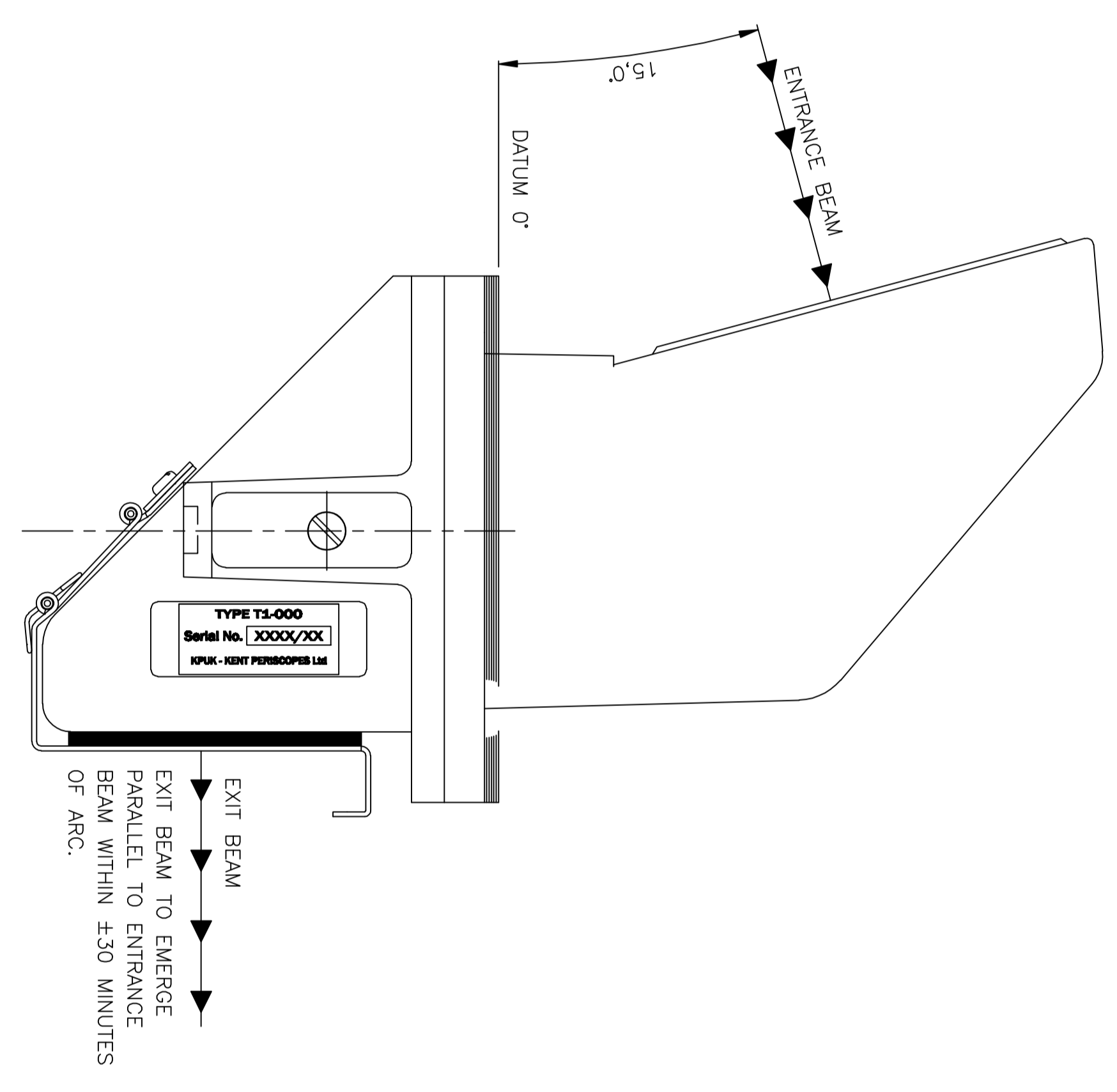
ISSUE	DATE	REF
1	01/10/10	



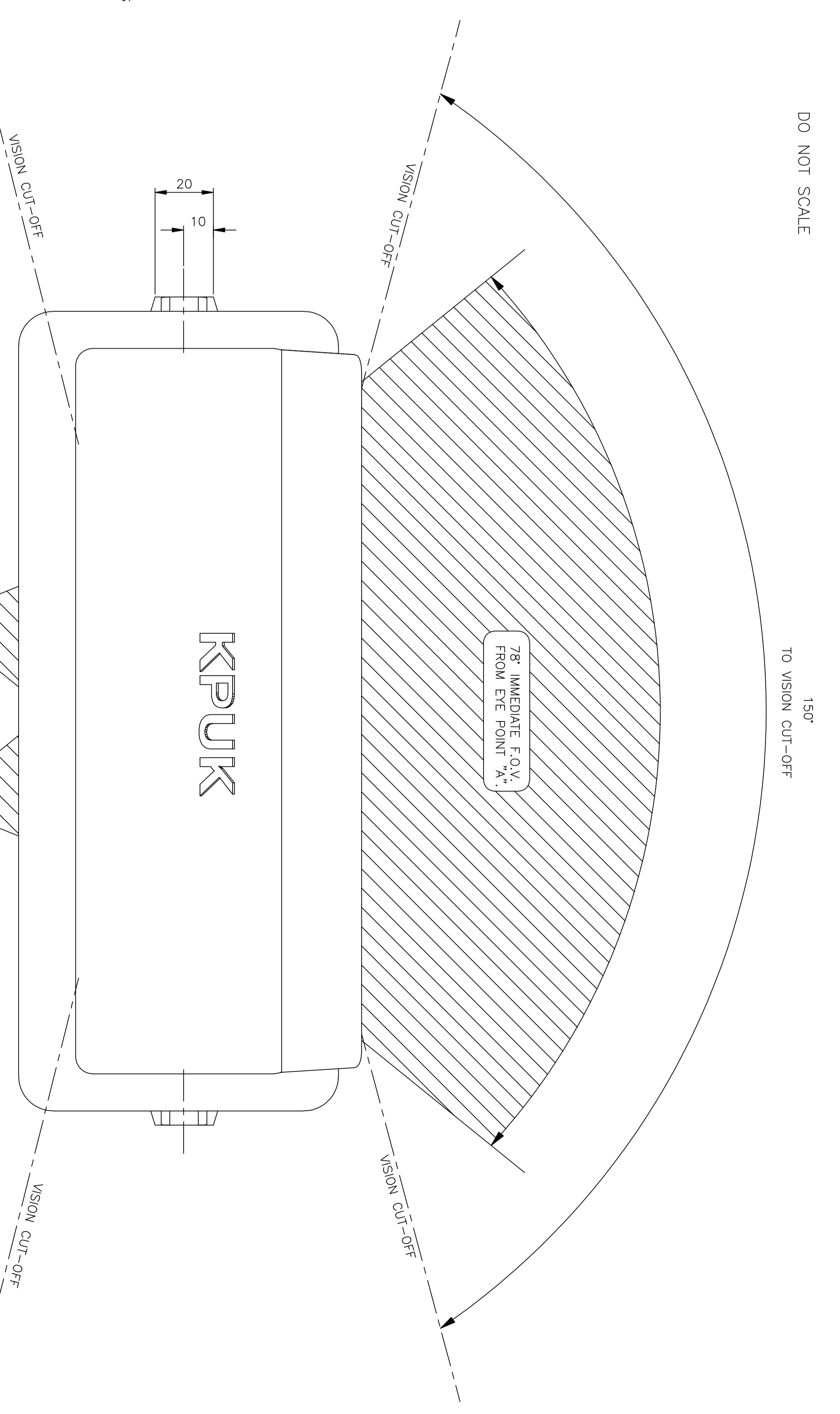
VIEW NOT TO SCALE



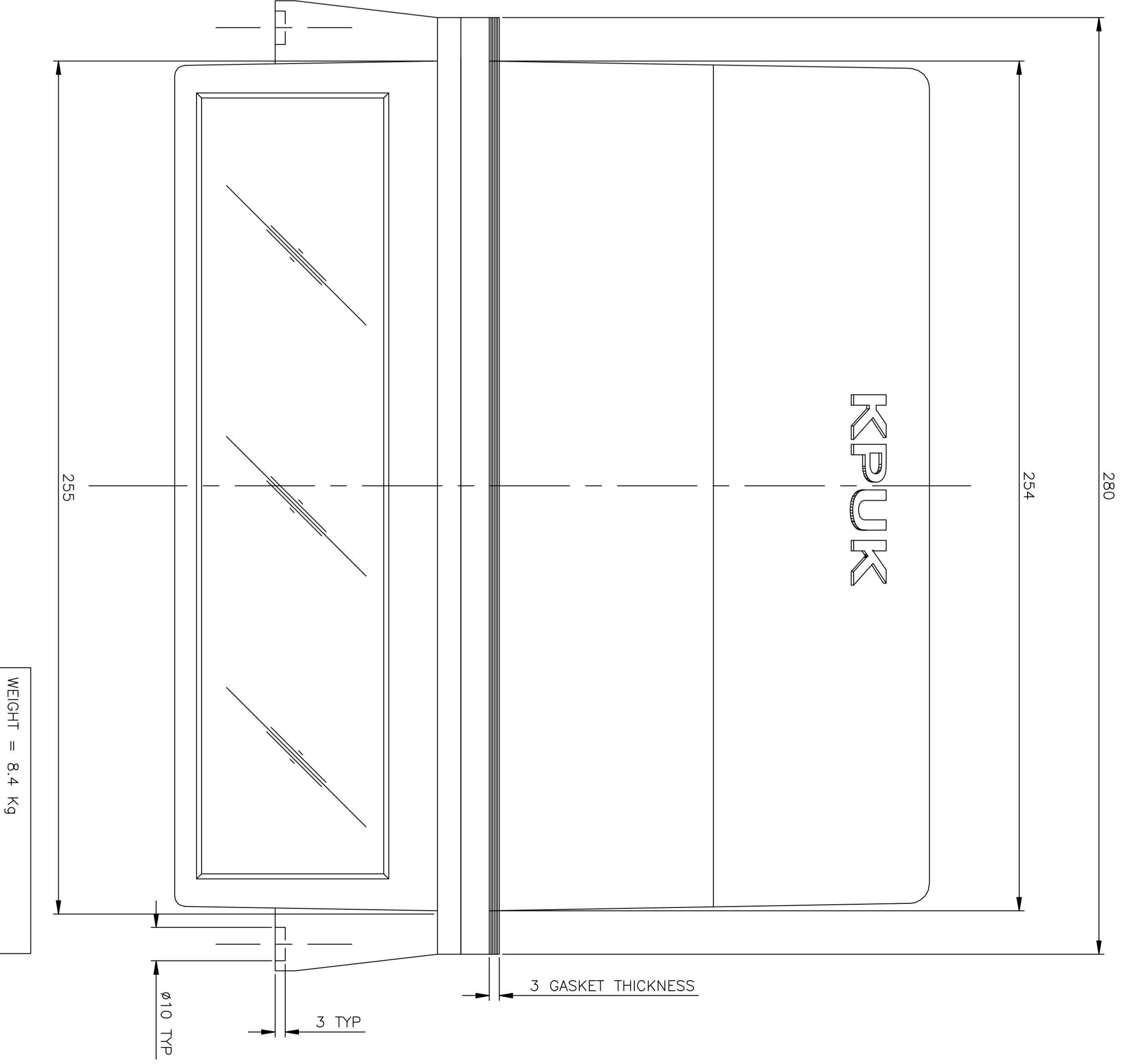
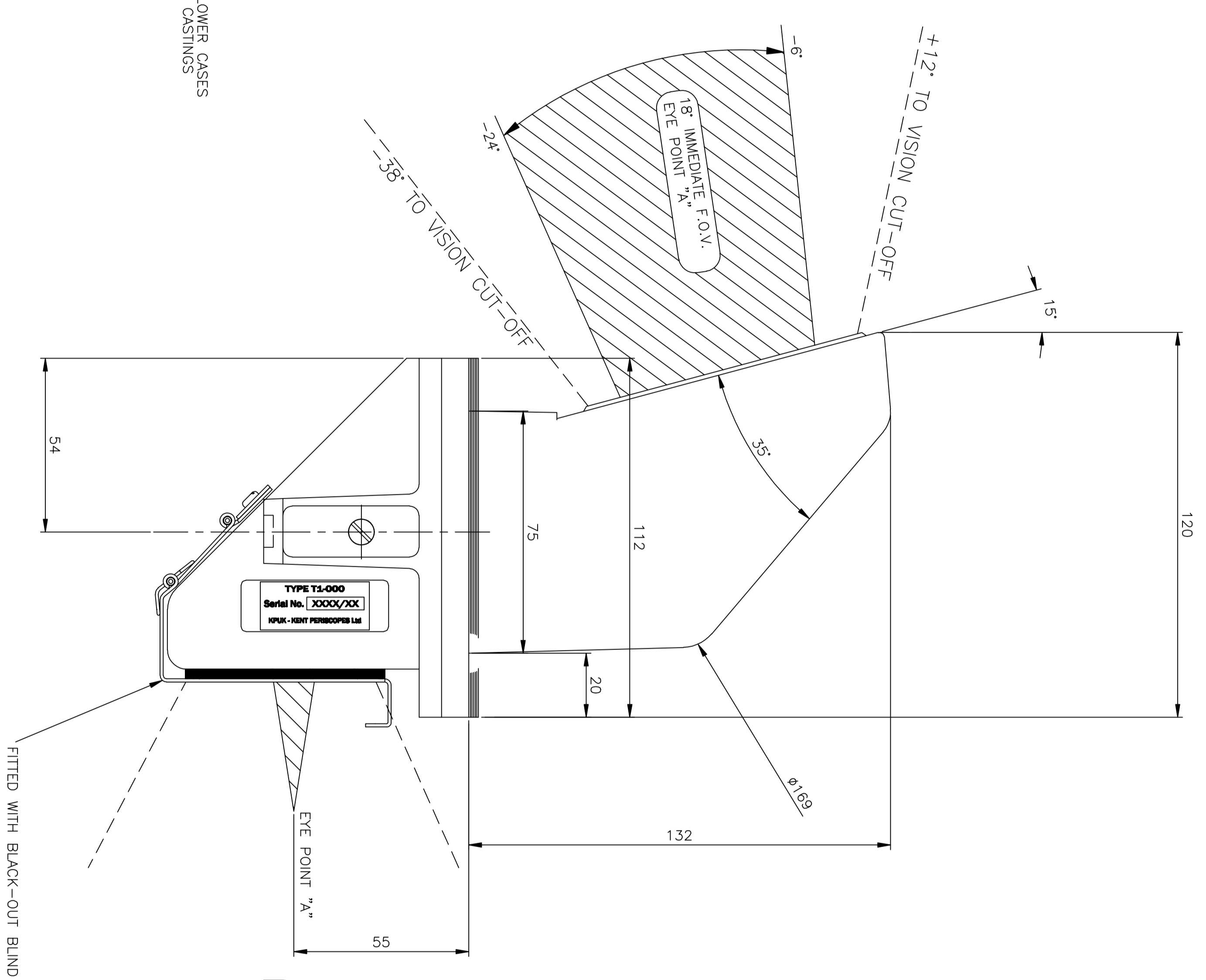
SEE BS 8888 FOR EXPLANATION OF DIMENSIONING ETC.
UNLESS OTHERWISE STATED:-
1. ALL BURS AND SHARP EDGES TO BE REMOVED.
2. ALL DIMENSIONS AND SPECIFICATIONS,
REFER LATEST ISSUE.



COLLIMATION DETAILS



DO NOT SCALE



- NOTES:
1. UPPER AND LOWER CASES- MATERIAL - ALUMINIUM ALLOY CASTINGS.
 2. TWO PIECE OPTICAL GLASS PRISM SYSTEM WITH DESIGNATED BALLISTIC GAP.
 3. FITTED WITH BLACK OUT BLIND
 4. FITTED WITH BLACK OUT BLIND
 5. FIELD OF VIEW QUOTED REPRESENT THE MINIMUM ACHIEVABLE
 6. PERISCOPE PRODUCED IN ACCORDANCE WITH KENT PERISCOPES TECHNICAL SPECIFICATION KP252000

WEIGHT = 8.4 Kg

Copyright © 2009 is stated on condition that it is not to be reproduced or published in any form without the prior written permission of Kent Periscopes Ltd.		
Drawn by	Material	
Checked by	Production Finish	
Approved by	Author	
Drawn in	Scale	
Drawn by	Scale	
Project	Project	
Drawing Number	Drawing Number	